

# DUX HNK C

## DU XHEAD Tap Range Design Utility X Head High Neck Kitchen Taps Chrome



### Specification

Product Type:	Bathroom
Main Construction Material:	Brass
Mount Type:	Deck Mounted
Handle Type:	Crosshead Handles
Connection Inlet:	G 1/2" BSP
Connection Outlet:	Open
Number of Tap Holes:	2
Valve/Cartridge Type:	Quarter Turn Ceramic Disc
Plumbing System Requirements:	All - Ideally Balanced
Working Pressure Range:	Min. 0.2 Bar, Max. 8.0 Bar
Maximum Hot Water Temperature: °C	65
Maximum Static Pressure: (bar)	10
Flow Type:	Single Flow
Isolation Included:	No

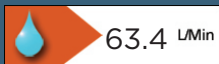
### Features:

- Long life and easy to use 1/4 turn ceramic disc valves
- Product supplied with a check valve
- Chrome plated to BS EN 248

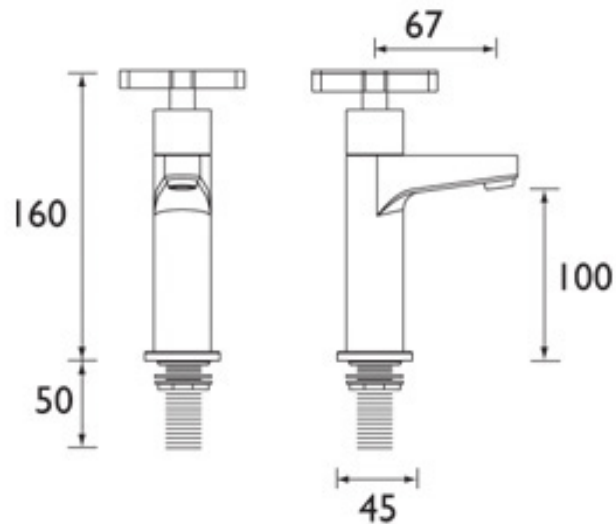
### Product Certifications:



WRAS Cert. No.: 1806063  
WRAS Expiry Date: 30/06/2023



### Dimensions (measurements in mm)



### Flow Rates (l/min)

System Pressure (bar)	0.2	0.5	1	2	3	5
DUX HNK C	7.4	12.3	18	25.7	31.7	40.8

For more products, visit our website:  
<http://www.bristan.com>



TECHNICAL  
DATA  
SHEET



**BRISTAN**  
TAPS & SHOWERS D4